

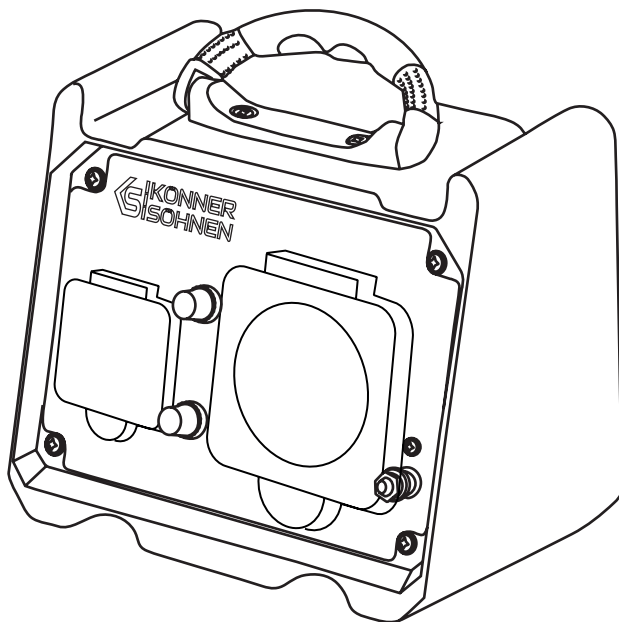
**Please, read this manual  
before use!**

**Instruction**



## **Parallel connection box**

KS PU1-US





Thank you for your purchase of **Könnner & Söhnen®** products. This manual contains a brief description of safety, use and debugging. More information can be found on the official manufacturer's website in the support section: **konner-sohnen.com/us**

You can also go to the support section and download the full version of the manual by scanning the QR code, or on the website of the official importer of **Könnner & Söhnen®** products: **konner-sohnen.com/us**



*We care about the environment, therefore, we consider it expedient to save paper and leave in print a short description of the most important sections.*



**Be sure to read the full version of the manual before getting started!**



Manufacturer reserves the right to make alterations, which may not be reflected in this manual. Pictures and photos of the product may vary from its actual appearance. At the end of this manual, you may find contact information which you are free to use in case of any issues occurrence.

All data, specified in this operation manual is the most up to date for the moment of its publishing. The current list of service centers you can find at the website of official importer: **konner-sohnen.com/us**



**ATTENTION – DANGER!**



**Failure to follow the recommendations marked with this sign may lead to serious injury or death of the operator or third parties.**



**IMPORTANT!**



**Useful information while operating the machine.**

## SAFETY INFORMATION

1

Do not use the device in conditions of excessive humidity, while standing in water or on moist soil (do not expose it to rain, snow). Do not expose the device to direct sunlight for a long time. Place the device on a flat, hard surface, away from flammable liquids/gases (at a minimum distance of 1 m). Keep unauthorized persons, children, and animals away from work area. Wear safety shoes and gloves.

### WORKING AREA

- Be sure to follow cleanliness and good lighting in the work area. Clutter and poor lighting may cause an injury.
- Do not let the presence of unauthorized persons, children or animals when working with parallel unit. If necessary, make sure to fencing the working area.

### ELECTRICAL SAFETY



**ATTENTION – DANGER!**



**Follow safety precautions to avoid electric shock.**

- Store all electrical equipment dry and clean. Wires with damaged or spoiled insulation should be replaced. You should also replace worn, damaged or rusty contacts.

The device wiring diagram must comply with the installation rules and applicable regulations. Connect the device to the protective ground before operation using the terminal located on the device control panel. To avoid electric shock, do not use damaged wires as well as damaged or rusty contacts.



**PLEASE NOTE!**



**Use the product for its intended purpose only. Using the device for purposes other than intended deprives the customer of a right to free warranty service.**



WARNING - DANGER!



Do not operate the generator parallel connection box when you are tired or under the influence of potent drugs, narcotics or alcohol. Inattention during operation can cause serious injuries.

## SAFETY SYMBOLS DECRYPTION

2

### SYMBOLS DESCRIPTION WHEN WORKING WITH GENERATOR



- A.** Be careful when using the device! Follow safety rules listed in manual.
- B.** Keep children out of the generator area.
- C.** Do not use or store the device in high humidity.
- D.** Do not smoke when using the generator!
- E.** The device generates electricity. Follow safety precautions to avoid electric shock.
- F.** Carefully read the manual before using the device.
- G.** Do not touch the generator with wet or dirty hands.
- H.** Follow fire safety rules, do not use open flames near the generator.

### BESIDES SAFETY SYMBOLS GENERATOR CONTAINS FOLLOWING INSCRIPTION:

		<b>KS PU1-US PARALLEL UNIT</b>	
MAX POWER POTENCIA MÁXIMA	7kW	VOLTAGE VOLTAJE	120V
RATED AMBIENT TEMP. TEMP. AMBIENTE NOMINAL	25°C	WEIGHT PESO	3.0 lbs
BATCH NUMBER NUMERO DE LOTE	KS.PU-08.03	YEAR OF ISSUE AÑO DE EMISION	2023

Specification table.

For different models this table is different.

All characteristics are given in the "Specifications".

### PARALLEL UNIT

KS PU1-US generator parallel unit from Könnersöhnen® allows to increase the total output power of generators by connecting two inverter generators together. Parallel connection of two compatible generators with parallel connection terminals provides output power equal to the combined rated powers of these models. At the same time, parallel connection of generators entails a power loss of 0.2 kW of the aggregate rated power which can be obtained.



PLEASE NOTE!

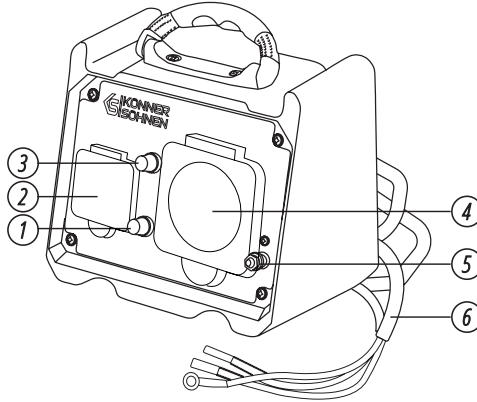


The manufacturer reserves the right to make changes in the product design, configuration and construction. Illustrations in this manual are for reference only and may differ from actual components and inscriptions on the product.

**DISCLAIMER:**

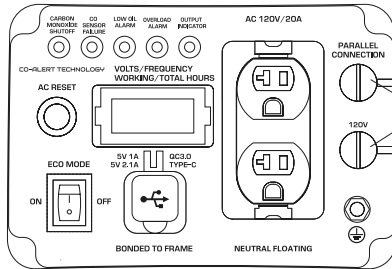
This material is for informational purposes only and does not constitute a manual for installing the equipment or connecting it to the mains, but we strongly recommend that you read the instructions below. Equipment connection must always be carried out by a certified electrician responsible for the installation and electrical connection of the equipment according to local laws and regulations. The manufacturer assumes no liability for improper connection of the equipment or for any material or physical damage that may result from improper installation, connection or operation of the equipment.

**GENERATOR PARALLEL CONNECTION BOX**



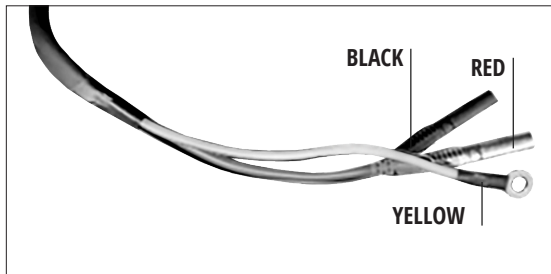
- 1. Circuit breaker 50A
- 2. AC 120V 30A
- 3. Circuit breaker 30A
- 4. AC 120V 50A
- 5. Ground terminal
- 6. Cables 2\*70"

**GENERATOR CONTROL PANEL**



Connector for parallel connection box

**CABLES**



Each cable of the KS PU1-US generator parallel connection box has three wires: red, black and yellow: The red wire is connected to the red connector on the generator control panel ("+" to "+"); the black wire is connected to the black connector on the generator control panel ("- to "-"); and the yellow wire is connected to the ground terminal.

## SPECIFICATIONS

3

<b>Voltage</b>	120 V	
<b>Sockets with protective covers</b>	1*120V 50A	1*120V 30A
<b>Circuit breaker</b>	+	+
<b>Maximum power</b>	7 kW	
<b>Cable length</b>	2*70"	
<b>Cable</b>	AWG 12	
<b>Net weight</b>	3 lbs	

Prior to connecting the box to the generators, make sure the generators are turned off and power consumers are disconnected.

## STOPPING THE GENERATOR

5

1. Connect the two parallel connection cables to the parallel connection terminals of both generators.
2. Start the first generator according to its operating instructions.
3. Start the second generator according to its operating instructions.
4. Connect the power consumers to the socket of the KS PU1-US.
5. Set the circuit breaker on KS PU1-US to "ON".
6. Switch on the connected power consumers.

## DEVICE OPERATION

4

1. Turn off the connected power consumers.
2. Set the circuit breaker on KS PU1-US to "OFF".
3. Disconnect the power consumers from the sockets of the KS PU1-US generator parallel connection unit.
4. Stop the two generators one after the other according to their operating instructions.
5. Disconnect two parallel connection cables from the parallel connection terminals of both generators.



**PLEASE NOTE!**



**Before connecting any power consumers to the box, make sure they are in good working order.**

## CONTACTS

**United States of America:**  
KS Energy Solutions Inc.  
Balcones Drive STE 100 Austin,  
TX 78731

**Authorized Warranty Service**  
[support.us@dimaxgroup.com](mailto:support.us@dimaxgroup.com)  
[www.konner-sohnen.com/us](http://www.konner-sohnen.com/us)